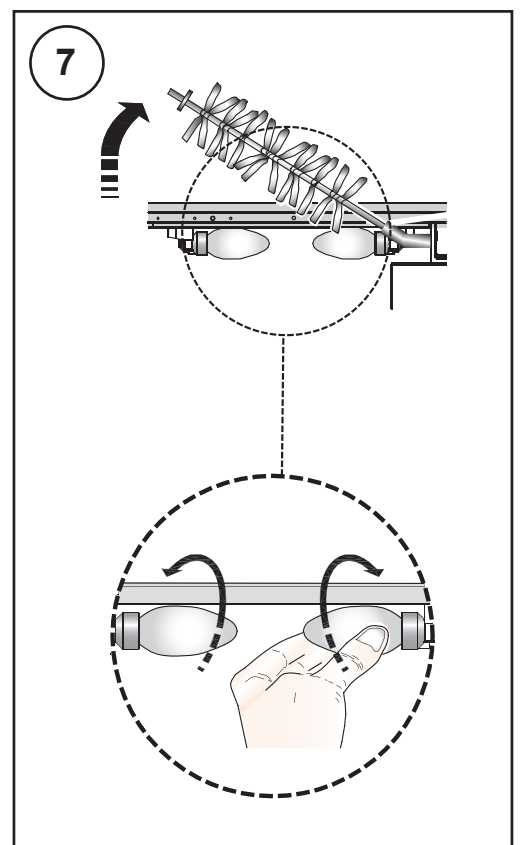
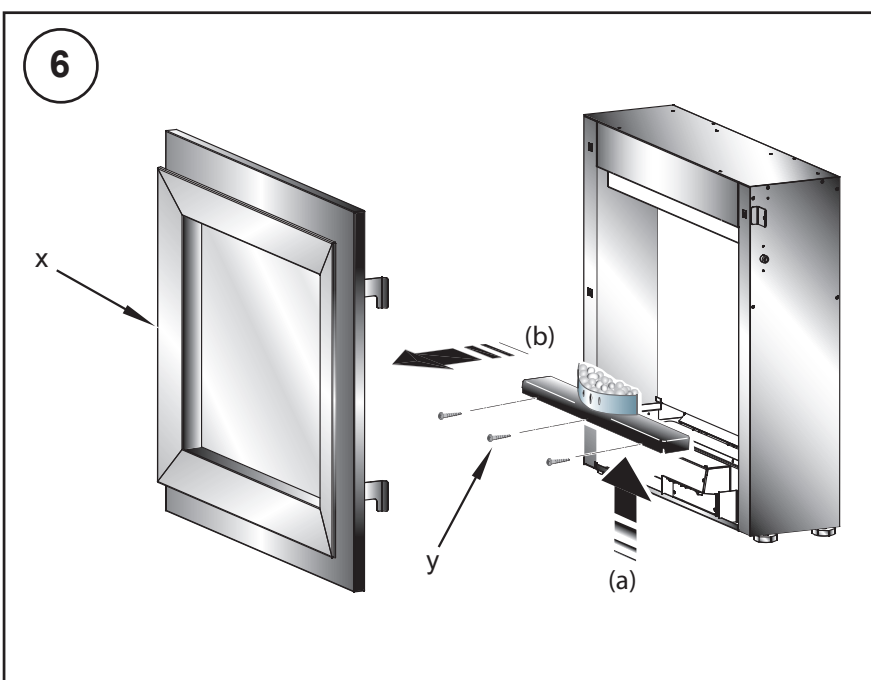
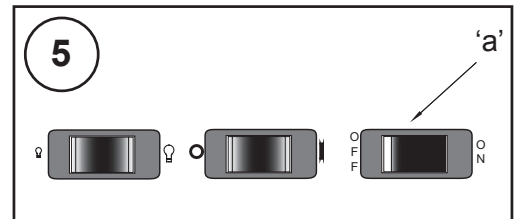
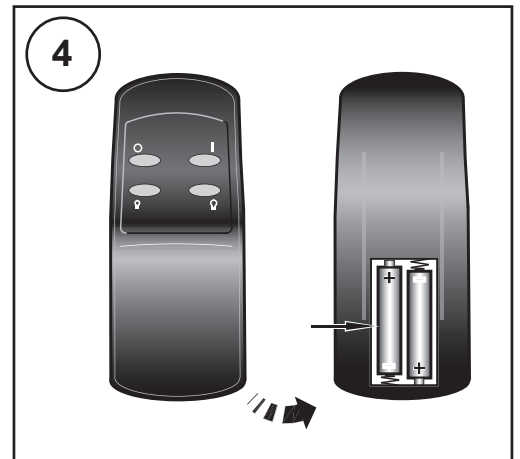
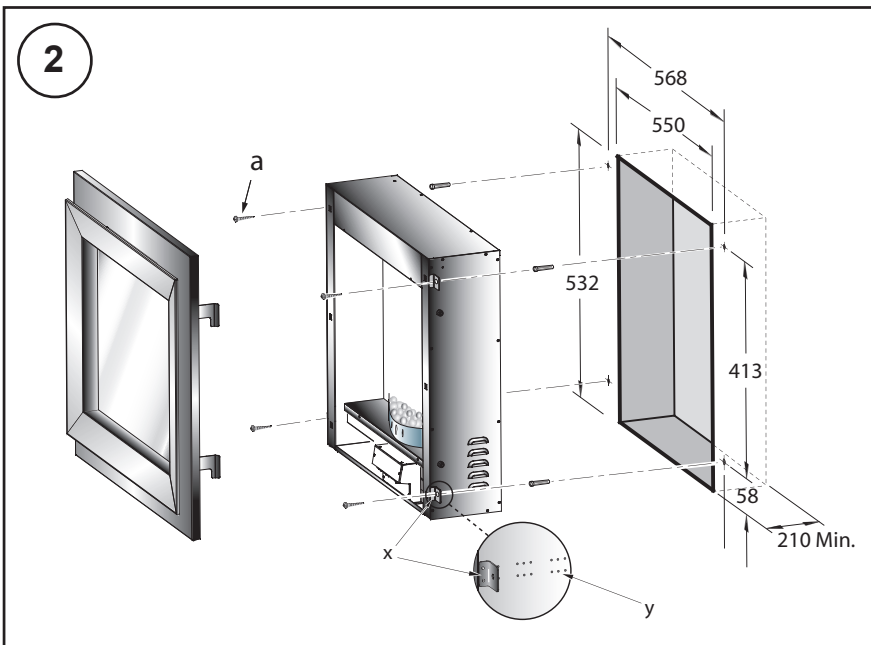
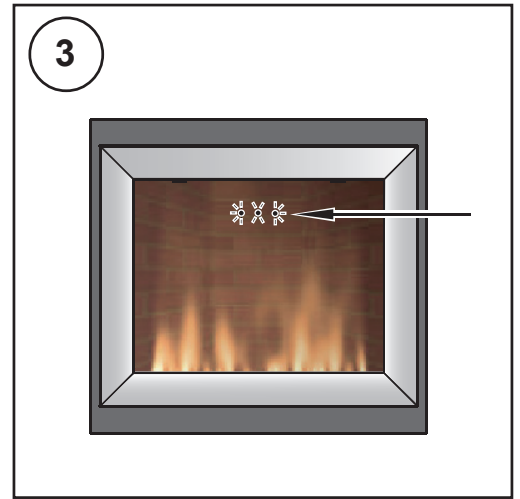
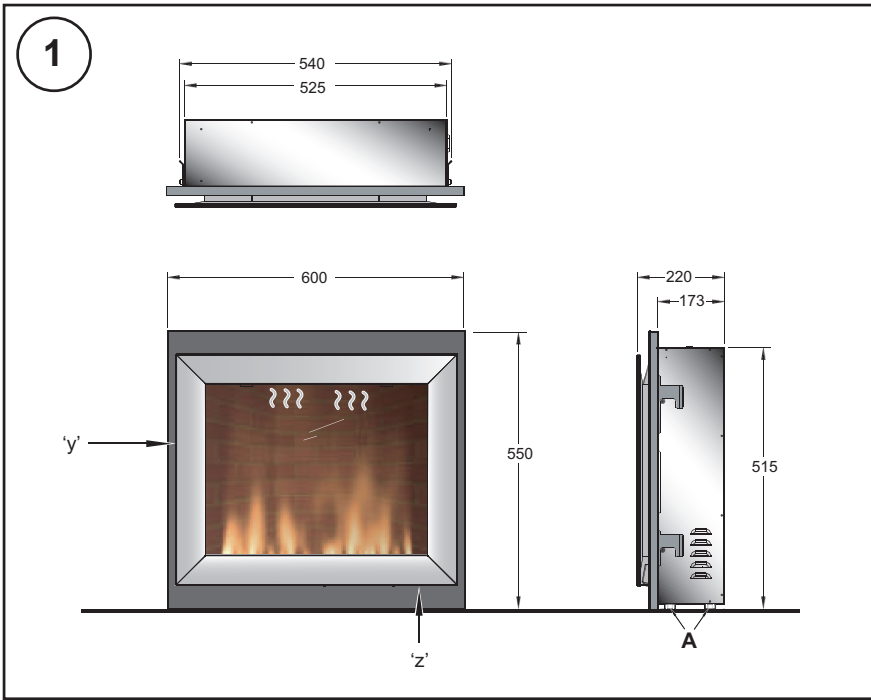


Dimplex



NAVARRA NAV15P PEBBLE

AUS/NZ



Important Safety Advice

When using electrical appliances, basic precautions should always be followed to reduce the risk of fire, electrical shock, and injury to persons, including the following:

If the appliance is damaged, check with the supplier before installation and operation.

Do not use this heater in the immediate surroundings of a bath, shower or swimming pool.

Do not locate the heater immediately below a fixed socket outlet or connection box.

Do not cover or obstruct in any way the heat outlet grille located at the top of the heater or the heat outlet at the base of the heater. Overheating will result if the heater is accidentally covered.

The appliance is not intended for use by young children or infirm persons unless they have been adequately supervised by a responsible person to ensure that they can use the appliance safely.

Young children should be supervised to ensure that they do not play with the appliance.

In the event of a fault unplug the heater.

Unplug the heater when not required for long periods.

Ensure that furniture, curtains or other combustible material are positioned no closer than 1 metre from the heater.

Although this heater complies with safety standards, we do not recommend its use on deep pile carpets or on long hair type of rugs.

The appliance must be positioned so that the plug is accessible.

Do not use this heater in series with a thermal control, a program controller, a timer or any other device that switches on the heat automatically, since a fire risk exists when the heater is accidentally covered or displaced.

If the supply cord is damaged it must be replaced by the manufacturer or service agent or a similarly qualified person in order to avoid a hazard.

General

Unpack the heater carefully and retain the packaging for possible future use, in the event of moving or returning the fire to your supplier. A bag of small white pebbles, screws and rawl plugs, a remote control and batteries are packed separately within the carton. When the heater is in position the outer frame is removed by lifting out and up - see 'Lamp Replacement' and the small white pebbles are placed on top of the fuel bed.

This fire incorporates a flame effect which can be used with or without heating, so that comforting effect may be enjoyed at any time of the year. The flame effect is provided by a low wattage motor and two 60 watt lamps. Using the flame effect on its own, therefore, requires little electricity.

The controls are located at the bottom right hand corner of the appliance (see 'z' in Fig. 1). A choice of 750W or 1500W heat output is provided by the fan heater, which is concealed at the top of the heater behind the removable front panel (see 'y' in Fig. 1).

The fire is designed to be fitted into a large fireplace opening or a purpose built structure - see Fig. 2 for recommended sizes for opening.

Please note: Used in an environment where background noise is very low, it may be possible to hear a sound which is related to the operation of the flame effect. This is normal and should not be a cause for concern.

Electrical connection

WARNING – THIS APPLIANCE MUST BE EARTHED.

This heater must be used on an AC ~ supply only and the voltage marked on the heater must correspond to the supply voltage.

Before switching on, please read the safety warnings and operating instructions.

Installation

The fire is designed to be fitted into a large fireplace opening or a purpose built structure - see Fig. 2 for recommended sizes of opening. The installation of a purpose built structure should be carried out by a competent person. If in doubt please consult your local builder.

At the base of the fire, four adjustable feet (see 'A' in Fig. 1) are provided for levelling the fire where the base of the fireplace opening is raised above the level of the hearth.

Adjust by turning the feet until the desired height has been reached.

Recessed Installation

In order to ensure it's future safety in use, it is essential that this fire is securely fixed to the wall.

IT IS IMPORTANT THAT THE FIXING DEVICE CHOSEN IS APPROPRIATE TO THE WALL MATERIAL TO WHICH THE FIRE IS BEING FIXED. SOME MODERN INTERNAL BUILDING MATERIALS ARE VERY LOW DENSITY BLOCK AND REQUIRE SPECIALIZED FIXING DEVICES TO PROVIDE A SAFE, SECURE INSTALLATION.

The installation of this fire should be carried out by a competent person.

Follow steps as outlined below :

1. Make sure that the fire is located on a flat surface.
2. In existing fireplaces seal all draughts and vents to prevent chimney debris from falling onto the fireplace insert. Do not install into an existing fireplace that is prone to dampness.
3. Remove the fire front panel - see 'Lamp Replacement' and Fig. 6.
4. In the event that the minimum recess depth of 210mm (*recommended) can not be achieved, then the four fixing brackets (see 'x' in Fig. 2) can be adjusted using the other optional holes (see 'y' in Fig. 2) on the side panels allowing the fire to sit proud of the wall.
Note: Absolute minimum recess depth is 58mm.
5. Locate the 4 fixing holes, position the fire accordingly, and firmly fix the appliance to the wall using the screws and plugs provided - see Fig. 2 for hole fixing dimensions and recommended recess size.
6. Replace the front panel.

If you intend to build a purpose built structure/hearth please use the recommended dimensions as indicated in Fig. 2.

If in doubt of any of the above please consult your local builder.

Operation

The controls are located at the bottom right hand corner of the appliance - see 'z' in Fig. 1.

Connect the fire to your electricity supply.

Note: When either the remote control or the manual controls are used the neon's will come on for 3 seconds indicating the appropriate setting - see Fig. 3.

Manual Operation

Note: The Standby Switch (see 'a' in Fig. 5) must be first turned on to operate either the manual or the remote controls. The red indicator mark on the switch will be visible when it is turned on.

Setting	Operation	Indication
Flame effect	Press the 'I' button once	Left Neon
Flame effect & 750W heat setting	Press the 'I' button again	Left & Middle Neon
Flame effect & 1500W heat setting	Press the 'I' button again	All 3 neon's

To turn off any of the settings press the 'O' button once.

To increase or decrease the brightness of the fuel effect use the buttons 'Q' as shown in Fig. 5.

Initializing the Remote Control

Note: The remote control is packed separately in the carton.

1. Slide open the battery cover on the back of the remote transmitter.
2. Install the AAA batteries into the remote control (see Fig. 4).
3. Replace battery cover.

Dispose of batteries in the proper manner according to Provincial and local regulations. Any battery may leak electrolyte if mixed with a different battery type, if inserted incorrectly, if all the batteries are not replaced at the same time, if disposed of in a fire or if an attempt is made to charge a battery not intended to be recharged.

Remote Control Operation

Warning: It takes some time for the receiver to respond to the transmitter. Do not press the buttons more than once within two seconds for correct operation.

Setting	Operation	Indication
Flame effect	Press the 'I' button once	Left Neon
Flame effect & 750W heat setting	Press the 'I' button again	Left & Middle Neon
Flame effect & 1500W heat setting	Press the 'I' button again	All 3 neon's

To turn off any of the settings press the 'O' button once.

To increase or decrease the brightness of the fuel effect use the buttons 'Q' as shown in Fig. 4.

Lamp Replacement

To gain access to the lamps

1. Remove the front panel (see 'x' in Fig. 6) by lifting out then up and carefully leave to one side.
2. Remove the pebbles and leave to one side.
3. Remove the three screws (see 'y' in Fig. 6) on the pebble effect holder.
4. Remove the pebble effect holder by gripping the front ledge and (a) lifting upwards and then (b) out towards you. Set aside carefully – see Fig. 6.

5. For access to the bulbs, carefully rotate the flexible rotisserie out of position ensuring that the rubber grommet is not lost – see Fig. 7.
6. Unscrew the defective lamp anti-clockwise. Replace with a 230V, 60W E14 SES lamp, do not over tighten (see Fig. 7).
7. Refit the pebble effect holder (with three screws), and arrange the pebbles on top for best effect.
8. Refit the front panel.

Thermal Safety Cut-out

For your safety, this appliance has been fitted with thermal cut-out. In the event that the product overheats, the cut-out switches the heat off automatically.

To bring the heat back into operation, remove the cause of the overheating, then unplug or turn off the electrical supply to the heater for up to 10 minutes.

When the heater has cooled sufficiently, re-connect and switch on the heater.

Caution: In order to avoid a hazard due to inadvertent resetting of the thermal cut-out, this appliance must not be supplied through an external switching device, such as a timer, or connected to a circuit that is regularly switched on and off by the utility.

Cleaning and Maintenance

Warning: Always disconnect from the power supply before attempting any maintenance.

Before commencing cleaning, unplug the heater and allow it to cool.

The surface of the heater should be given an occasional wipe over with a soft damp cloth. Do not use detergents abrasive cleaning powder or polish on the body of the heater. The glass screen should be cleaned carefully with a chamois leather. Do not use proprietary glass cleaners.

To clean the pebble effect holder remove the front panel (see Fig. 6 or 'Lamp Replacement') then remove the pebbles and wipe the pebble effect holder with a soft damp cloth. When dry replace the pebbles and arrange for best effect. Refit the front panel.

After Sales Service

Should you require after sales service, please get in touch with the supplier through whom you purchased the appliance.

Please retain your receipt as proof of purchase.